

FEATURES

- Aluminium-Alloy IP65 single point load cell
- Colourless anodized
- Suitable for single or double load cell structured platform scales
- Maximum platform size: 400 x 400 mm



AVAILABLE MODELS

Capacity	Accuracy	Full article description
50 kg	C3/C4	L6Q-C3/C4-50kg-3B6
100 kg	C3/C4/C5	L6Q-C3/C4/C5-100kg-3B6
150 kg	C3/C4/C5	L6Q-C3/C4/C5-150kg-3B6
200 kg	C3/C4/C5	L6Q-C3/C4/C5-200kg-3B6
250 kg	C3/C4/C5	L6Q-C3/C4/C5-250kg-3B6



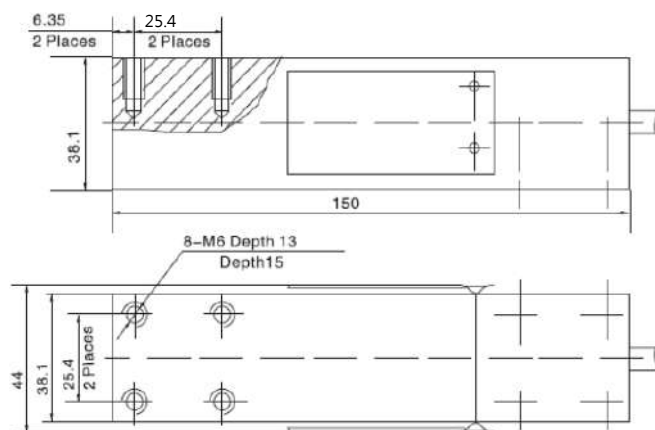
OIML test certificate no. D09-07.06 and TC7969
Revision 0 C of C no R60/2000-NL1-11.22

Certificate no. 11-104

SPECIFICATION

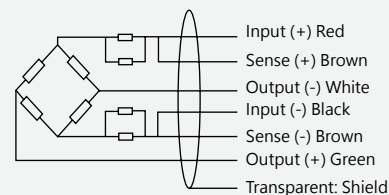
Accuracy class		OIML R60 C3	OIML R60 C4	OIML R60 C5
Output sensitivity (=FS)	mV/V	2.0 ± 0.2		
Maximum capacity (E _{max})	kg	50/100/150/200/250	100/150/200/250	
Maximum number of load cell intervals (nLC)		3000	4000	5000
Ratio of minimum LC verification interval $Y = E_{max} / V_{min}$		10000	15000	20000
Combined error	%FS	± 0.02	± 0.015	± 0.01
Minimum dead load	%FS	0		
Safe overload	%FS	120		
Ultimate overload	%FS	150		
Zero balance	%FS	± 2.0		
Excitation, recommended voltage	V	5 ~ 12 (DC)		
Excitation maximum	V	18 (DC)		
Input resistance	Ω	406 ± 6		
Output resistance	Ω	350 ± 3		
Insulation resistance	MΩ	≥ 5000 (50VDC)		
Compensated temperature	°C	-10 ~ +40		
Operating temperature	°C	-35 ~ +65		
Storage temperature	°C	-40 ~ +70		
Element material		Aluminium		
Recommended torque on fixation	N.m	M6: 10		
Ingress protection (according to EN 60529)		IP65		

DIMENSIONS IN MM



M	Metric	Imperial
	M6x1	1/4-20UNC-2B

WIRING



- Shielded, 6 conductor cable
- Cable diameter: Φ4.8mm
- Standard cable length: 3m
- Shield is not connected to element
- Cable jacket in PVC